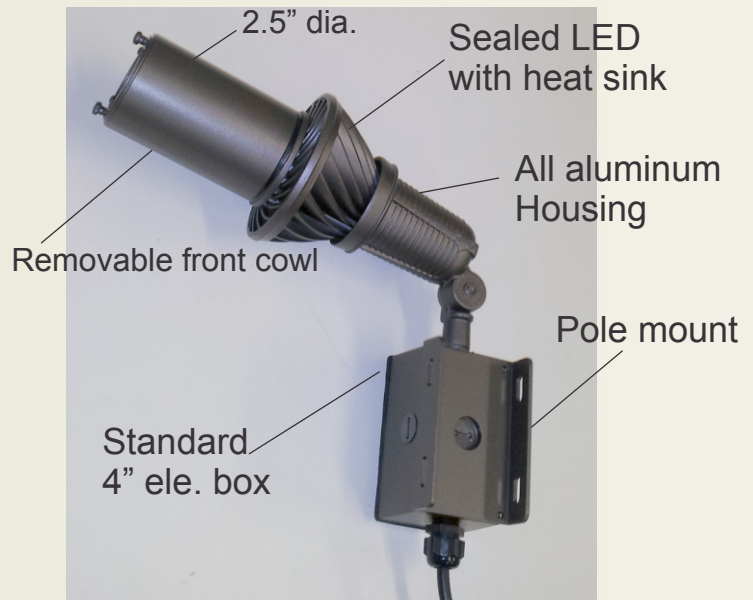


Raz25 LED Outdoor Ele. Box Pole Mount Projector

Specification and Data Sheet



Raz25 LED electrical box mount outdoor film projector



Features

Heavy wall, light weight aluminum construction
 50,000 hour 25 watt super bright LED lighting unit
 Aluminum housing with stainless steel hardware
 Corrosion resistant design with low heat surfaces
 Uniform light beam distribution
 Hard or soft edge projection with iris kit or framing kit
 Film or Gobo image projection
 UL Listed components
 Sealed Built-in low voltage dimmable transformer, short protection
 Brushed finished housing
 Hard coat anodized finish, medium bronze
 Efficient, precision optical system
 Bk270 optical glass lens
 Manual focus adjustment
 Protection rating of IP65
 Options:
 Dichroic filter holder inside light tube

Specifications

Electrical

110/120vac input or 220/240vac input available
 Lamp power: nc
 Grounded NEMA 5-15 plug or water tight connector
 Built-in Electronic dimmable transformer
 Transformer is short circuit protected and fused with UL, CSA listings

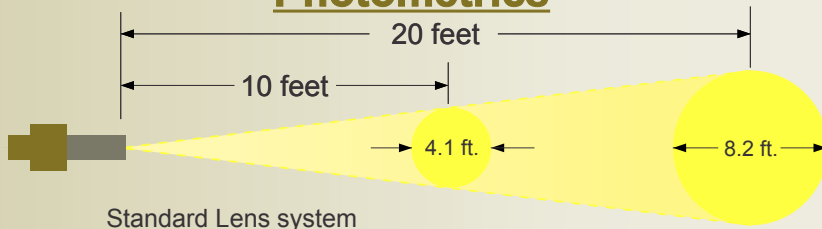
Mechanical

Light tube construction: Aluminum 6063 3/16" wall
 Yoke construction: Al. 6063
 Mounting plate construction : Al. 6060
 Finish: Hard Coat Anodize, Brush finish, medium bronze
 Friction pan(270 degree) and tilt axis(240 degree)
 Cooling system: no fans, heat conduction via tube wall and back heat sink
 Weight: 10.5 lbs.

Optics

Lamp: Super bright 25 watt LED 50,000 hours, 1200 Lumens, Sealed
 Lens: Condenser Lens: Aspheric, bk270
 Primary focus lens: Achromatic, bk270
 Housing window:
 Projected image size: 10 feet away produces a 4.1 foot circle
 Film or Gobo circle size: 1.125" effective imaging dia., 1.950" holder dia.
 Custom Lens kits available

Photometrics



RAZTECH®

LIGHTING BEYOND THE ORDINARY

Office/Factory: 990 Richard Road, Dyer, Indiana 46311

Phone: (877)264-2153, (219)322-8800

E-Mail: sales@razlight.com

Website: razlight.com holidayprojector.com

Raz25 LED Outdoor Ele. Box Pole Mount Projector

Read All Instructions carefully

Instruction Sheet

MADE IN U.S.A.

Insert images

1
front retaining screws



- 1 Unscrew front retaining fasteners
- 2 Remove front cover
- 3 Insert film, glass, or metal image in holder

2
front cover

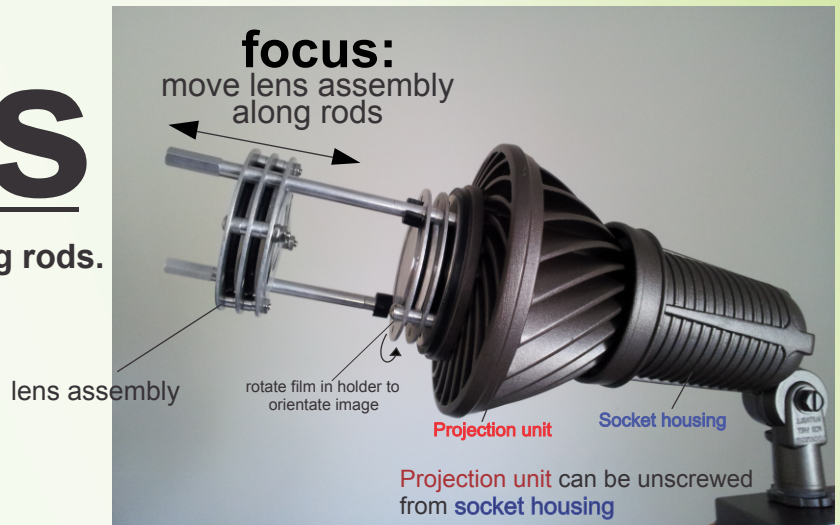


3
image holder

readable side faces light
image can be rotated in holder
do not touch film

Focus

To focus move lens assembly along rods.



RAZTECH[®]

LIGHTING BEYOND THE ORDINARY

Office/Factory: 990 Richard Road, Dyer, Indiana 46311
Phone: (877)264-2153, (219)322-8800
E-Mail: sales@razlight.com
Website: razlight.com holidayprojector.com

Raz25 LED Outdoor Ele. Box Pole Mount Projector

Read All Instructions carefully

Instruction Sheet

MADE IN U.S.A.

The LED light source in the Raz25 is hermetically sealed. The LED will last for 5+ years. New LED light source will be available for factory upgrades.

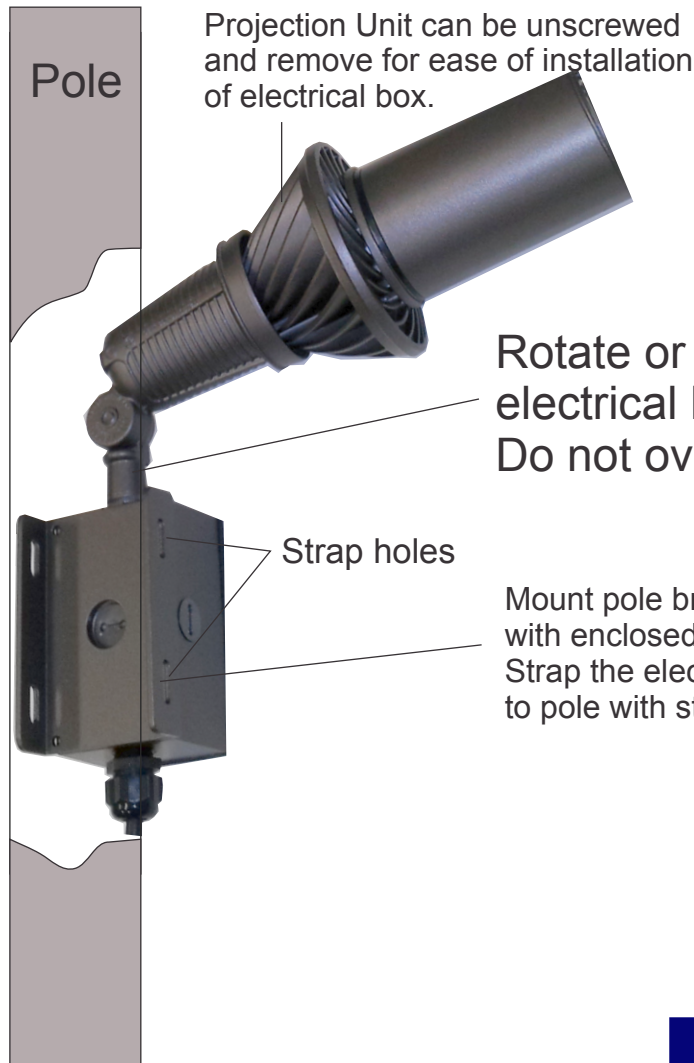
Make sure the vents are not obstructed. Use a vacuum to clean heat sink vents.

Mounting Note

Electrical feed can be with cord or hardwired with conduit. Electrical box can be bolted or strapped to pole. Shown with strapping bracket below.

Fogging Note

If image is blurry, adjust focus. Clean front lens both sides. Sometimes moisture, dirt, fog, and grease can deposit on inside surface of lens; clean lens with soap and hot water. Add de-fogging wax to lens if nessasary.



OPTIONS:

Call or go to website for details

- Lens kits
- Film images
- Glass images
- Metal images

Visit us at: RazLight.com

RAZTECH
LIGHTING BEYOND THE ORDINARY

Office/Factory: 990 Richard Road, Dyer, Indiana 46311

Phone: (877)264-2153, (219)322-8800

E-Mail: sales@razlight.com

Website: razlight.com holidayprojector.com

Limited Warranty

RazTech Lighting takes pride in its products and believes they are manufactured to the highest possible standards. Therefore, RazTech warrants its products against defects in materials or workmanship for a period of one (1) year from the date of the original purchase.

This warranty is void in any of the following circumstances: (a) The projector has been misused, neglected, damaged or abused. (b) The projector has been improperly installed, operated, repaired, or maintained. (c) The projector has been modified. (d) The projector has been connected to other equipment with which it is not compatible. (e) The projector has been used or stored in conditions outside its electrical or environmental specifications. (f) The projector has been used for purposes other than for which it was designed. (g) The projector has been used outside its stated specifications and operating parameters.

Correct installation of the projector is the owner’s responsibility. Under no circumstances will RazTech Lighting be liable for direct, indirect, incidental, special or consequential costs or damages, including dismantling and re-installation costs, loss of operations or profits. RazTech Lighting accepts no liability for personal injury or property damage resulting from failure to heed relevant operating and safety procedures specified by RazTech or imposed by law.

RazTech Lighting will, at its option, repair or replace any of it’s products covered by warranty without cost to the consumer for either parts or labor provided the warranty card is sent back to RazTech within 15 days from the date of purchase, subject to a valid warranty claim. Light bulbs are excluded from this warranty. If warranty period has expired, or other terms of the warranty are not met, a service charge will be made according to the repairs needed, and the unit returned to you C.O.D. RazTech Lighting disclaims any other express or implied warranties, including warranties of merchantability or fitness for purpose, to the maximum extent permitted by law.

RazTech Lighting has a policy of ongoing product improvement and specifications are subject to change without notice.

**WARRANTY CARD
DETACH and MAIL WITHIN 15 DAYS**

NAME OF PURCHASER _____
ADDRESS _____
CITY _____
STATE _____ **ZIP** _____
PRODUCT NAME _____
DATE PURCHASED _____ **SERIAL NO.** _____
STORE NAME _____
COMMENTS ABOUT PRODUCT _____

READ ALL INSTRUCTIONS

SAFETY SHEET

WARNING: WHEN USING OUTDOOR PORTABLE LAMPS, BASIC SAFETY PRECAUTIONS SHOULD ALWAYS BE FOLLOWED TO REDUCE THE RISK OF FIRE, ELECTRIC SHOCK , AND PERSONAL INJURY:

USE ONLY A THREE-WIRE OUTDOOR EXTENSION CORD AND GROUNDED RECEPTACLE.

USE A GROUND FAULT CIRCUIT INTERRUPTER (GFCI) PROTECTED CIRCUIT.

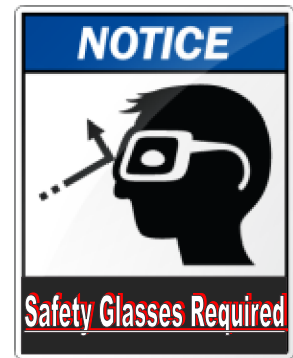
DO NOT USE WITH THE EXTENSION CORD NEAR WATER OR WHERE WATER MAY ACCUMULATE.

KEEP THE LIGHT AT LEAST 16 FEET FROM POOLS AND SPAS.

KEEP THE PLUG AND RECEPTACLE DRY.

Lighted Lamp Is Hot!

- Turn off/unplug and allow to cool before replacing lamp.
- Lamp gets HOT quickly! Contact only switch/plug when turning on.
- Do not touch hot lamp, lens, guard, or enclosure.
- Do not remain in light path if skin feels warm.
- Do not look directly at lighted lamp.
- Keep lamp away from materials that may burn.
- Use only with wattage of lamp marked on fixture.
- Do not touch the lamp bulb or inner reflector at any time.
- Use a soft cloth, oil from skin may damage lamp.
- Do not operate the luminaries fitting with a missing or damaged shield.
- Keep lens assembly out of sun path, damage of film may result.
- Always lock lens and lamp assembly with front and back retaining screws.
- Do not look into the sun or lamp with lens or lens assembly.



SAVE THESE INSTRUCTIONS

Visit us at: RazLight.com

